

LINEAR DRIVES ACCESSORIES

TILLER ARMS

2202106

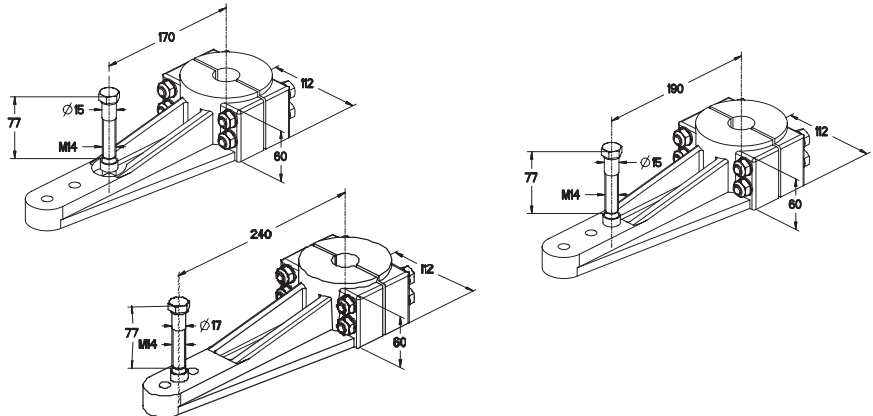
Rough equipped tiller arm 32 ST 16
 Ø 28 rough boring – Maxi Ø 50

2201291

Rough equipped tiller arm 40 ST 16
 Ø 28 rough boring – Maxi Ø 50

2201441

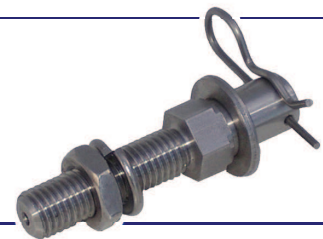
Rough equipped tiller arm 50 ST 20
 Ø 28 rough boring – Maxi Ø 50



QUICK COUPLINGS

2201557 S/steel quick coupling Ø 15

2201558 S/steel quick coupling Ø 17



ENERGY SAVING DEVICE "ECOPILOT"

The "Ecopilot" energy saving device was designed to meet the demand for electrical energy saving on sailing-boats. Power reserve on board is often very limited, however it is essential for the operation of an autopilot system.

The "Ecopilot" acts on the electro-valve which engages the autopilot. The power consumption of this electro-valve represents a major part of the total autopilot consumption.

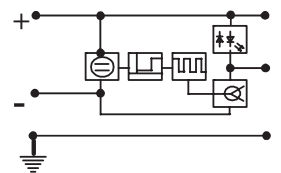
Its action consists of letting through - during a short moment – the necessary current for the electro-valve to switch on. Then the current is significantly reduced but still sufficient to maintain the electro-valve in position.

Thanks to this system, the daily consumption of the electro-valve is reduced in average from 30Ah to 5Ah.

2202047 ECOPILOT 12 V

2202048 ECOPILOT 24 V

Power supply12 or 24VDC, 30VDC max
 Own Consumption0.01A
 Output current at switching (I_e).....2.2A max
 Output current after switchingaround $I_e / 6.5$
 Switching time.....0.2s
 Protection.....IP65
 Power supply indicator.....LED yellow
 Working temperature-20°C to +70°C



MAINTENANCE KITS FOR LINEAR DRIVES

2202457 Maintenance kit for linear drives standard and Newave **32ST16 / 40ST16 – 12 V**

2202459 Maintenance kit for linear drives standard and Newave **32ST16 / 40ST16 – 24 V**


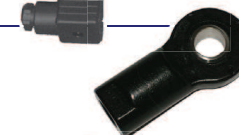

2202458 Maintenance kit for linear drives standard and Newave **40T254 / 50ST20 – 12 V**

2202460 Maintenance kit for linear drives standard and Newave **40T254 / 50ST20 – 24 V**



Simple, handy, compact (Weight = 950 g)

Maintenance kit composition

		Code
	Electro-hydraulic clutch 12 V	1202453
	Electro-hydraulic clutch 24 V	1202454
	Swivel yoke Ø 15	1200387
	Swivel yoke Ø 17	1200436
	Brush holder + Brushes All types RV1 – RV2	1200904